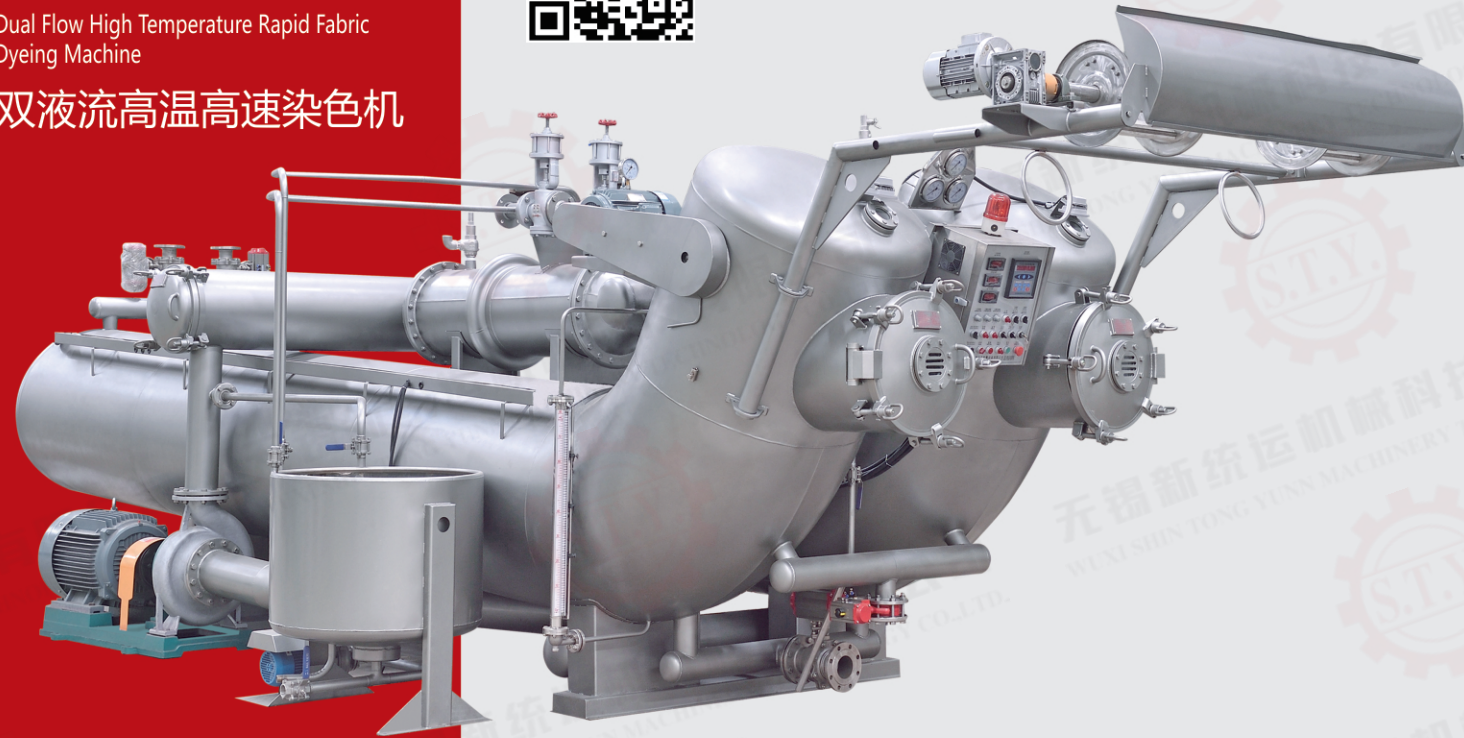


# TY-JL636 SERIES

Dual Flow High Temperature Rapid Fabric Dyeing Machine

双液流高温高速染色机



# TY-JL636B SERIES

Dual Flow High Temperature Rapid Fabric Dyeing Machine

双液流高温高速染色机



省水  
save water  
30%

布容量增加  
increases capacity  
25-40%



无锡新统运机械科技有限公司

WUXI SHIN TONG YUNN MACHINERY TECHNOLOGY CO.,LTD.

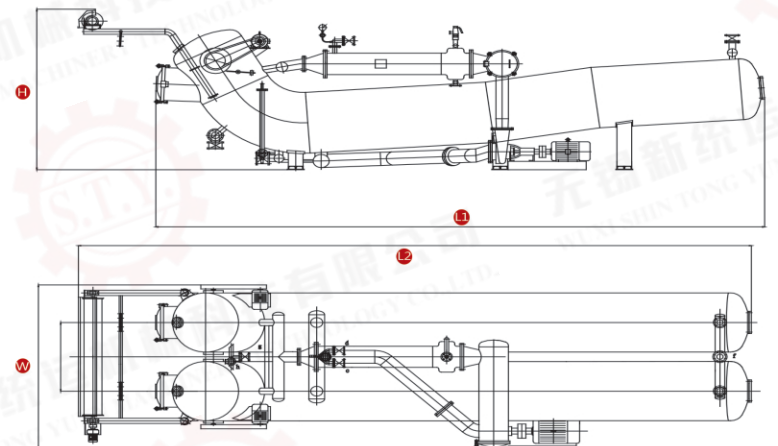
<http://www.yarnfabricdyeingmachine.com>

**TY-JL636系列** 布匹染色机适合针织布，毛巾布，地毯布，清洁布、等染色；也适合需要高度均匀染色的布匹，如时尚、家居装饰、工业用布等领域的布匹染色。对于薄型针织物，上走布染色机可以确保在染色过程中布匹不易擦伤和经纬移位。新一代 B 型染色机的结构设计，动力方式、控制系统等方面都进行了技术优化和创新，降低浴比的同时还大大的提高了产量。

**TY-JL636 Series** fabric dyeing machine is suitable for dyeing knitting cloth, towel, carpet, clean cloth, etc; It is also suitable for fabric requiring high degree of uniform dyeing, such as fashion, home decoration, industrial fabric and other fields of fabric dyeing. For thin knit fabric, this model dyeing machine ensure fabric is not easy to bruise and warp & weft shift during the dyeing process. Structural design, power mode, control system and other aspects of the new generation of B-type dyeing machine have been optimized and innovated, reducing the bath ratio and greatly increasing dyeing capacity.



TY-JL636-30/50/100



| 型号 Model                      | TY-JL636-100          | TY-JL636-1T    | TY-JL636-2T    | TY-JL636-4T             | TY-JL636B-150  | TY-JL636B-1T   | TY-JL636B-2T   | TY-JL636B-4T   |
|-------------------------------|-----------------------|----------------|----------------|-------------------------|----------------|----------------|----------------|----------------|
| 载量 Capacity (KG)              | 100                   | 250            | 500            | 1000                    | 150            | 300            | 600            | 1200           |
| 管数 No. of tubes               | 1                     | 1              | 2              | 4                       | 1              | 1              | 2              | 4              |
| 最高工作压力 Max working pressure   | 0.4Mpa                |                |                | 最高设计温度 Max design temp. |                | 152°C          |                |                |
| 织物运行速度 Cloth traveling speed  | 0-450米/分              |                |                |                         | 0-450m/min     |                |                |                |
| 升温速度 Rate of temperature rise | 20°C-140°C 35分钟 (min) |                |                |                         |                |                |                |                |
| 降温速度 Rate of temperature drop | 140°C-70°C 30分钟 (min) |                |                |                         |                |                |                |                |
| 主泵功率 Main pump power          | 7.5KW                 | 15KW           | 30KW           | 55KW                    | 7.5KW          | 15KW           | 30KW           | 55KW           |
| 总功率 Total power               | 11.25KW               | 19.45KW        | 37.35KW        | 67.5KW                  | 11.25KW        | 19.45KW        | 37.35KW        | 67.5KW         |
| 外形尺寸 Dimension (L2XWXH) mm    | 6590X1700X3080        | 8090X1700X3080 | 8090X3100X3080 | 8090X6050X3180          | 8090X1700X3080 | 9590X1700X3080 | 9590X3100X3080 | 9590X6050X3180 |

\*敝司保留技术最后之修改权利而不再另行通知。

\*We reserve our rights to change the specification without prior notice.

注 Note: L2-1500mm=L1